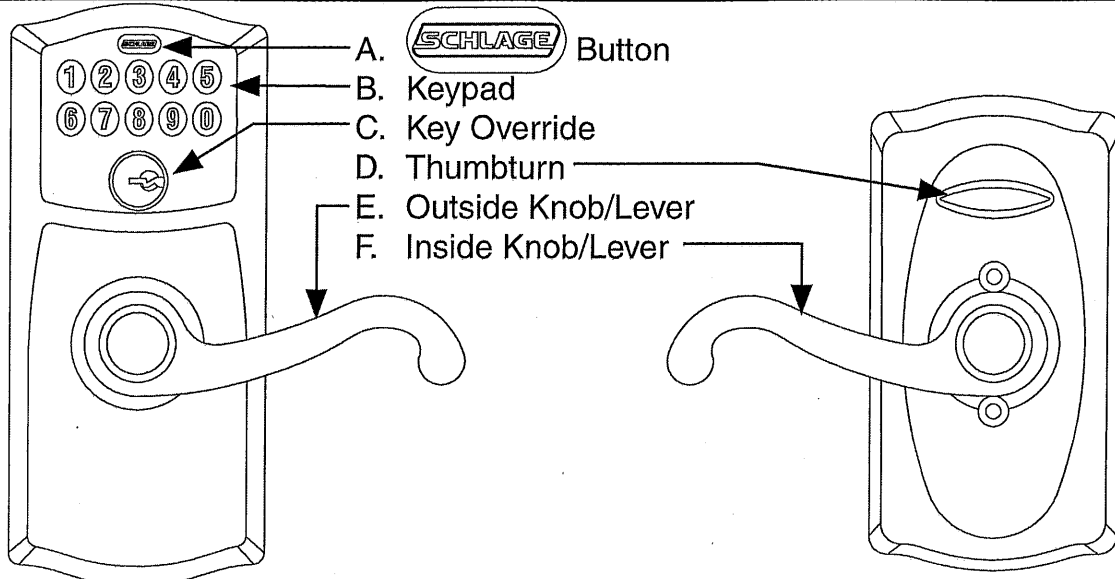


FE595 Features



A. Button

1. Press to turn on backlight.
2. Press to clear an incorrect code entry.

B. Keypad

1. Use to unlock the lock by entering a valid four-digit user code.
2. Use to program the lock. (See page 8.)

C. Key Override

(See page 10.)

D. Thumbturn

Switches between locked and unlocked. (See below.)

E. Outside Knob/Lever

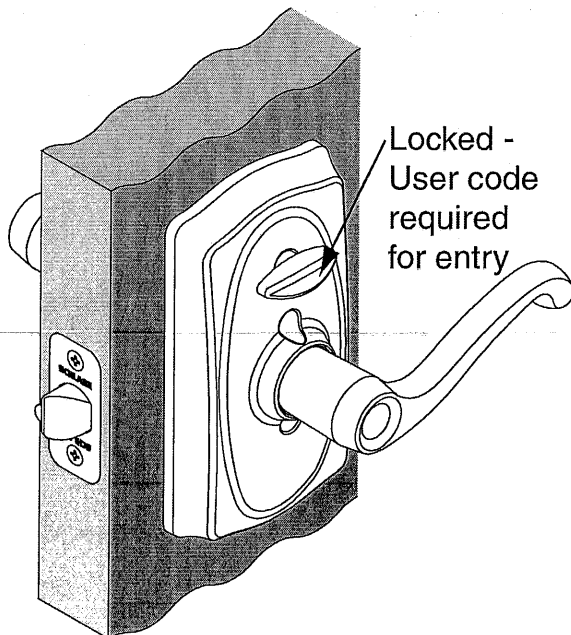
Always rotates. Only retracts latch when lock is unlocked.

F. Inside Knob/Lever

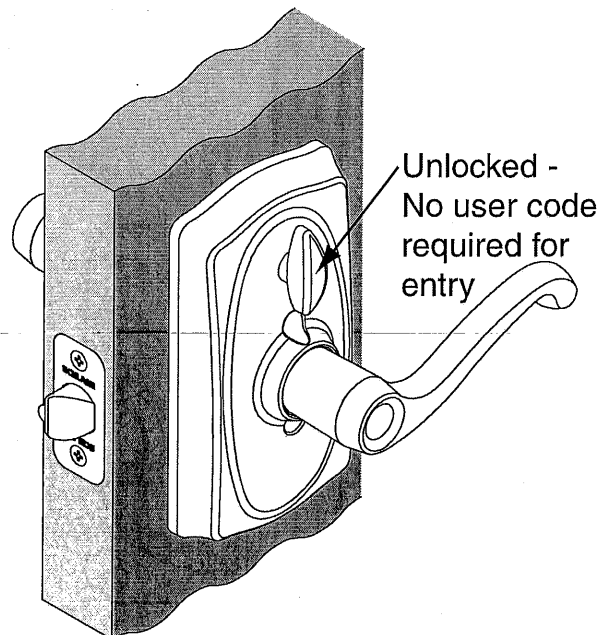
Always rotates and retracts latch for immediate exit.

FE595 Lock Operation

Thumbturn in Locked Position




Thumbturn in Unlocked Position



FE595 Lock Operation Continued

To Unlock the Lock (While thumbturn is in locked position)

- a. Enter a valid four-digit user code.
(See note.)
- b. The  button will flash green
- c. Rotate outside knob/lever within five seconds to open door.
- d. After five seconds, the lock will automatically relock.

NOTE: The lock has two unique preset user codes that are printed on the front of this guide and back of keypad assembly.

